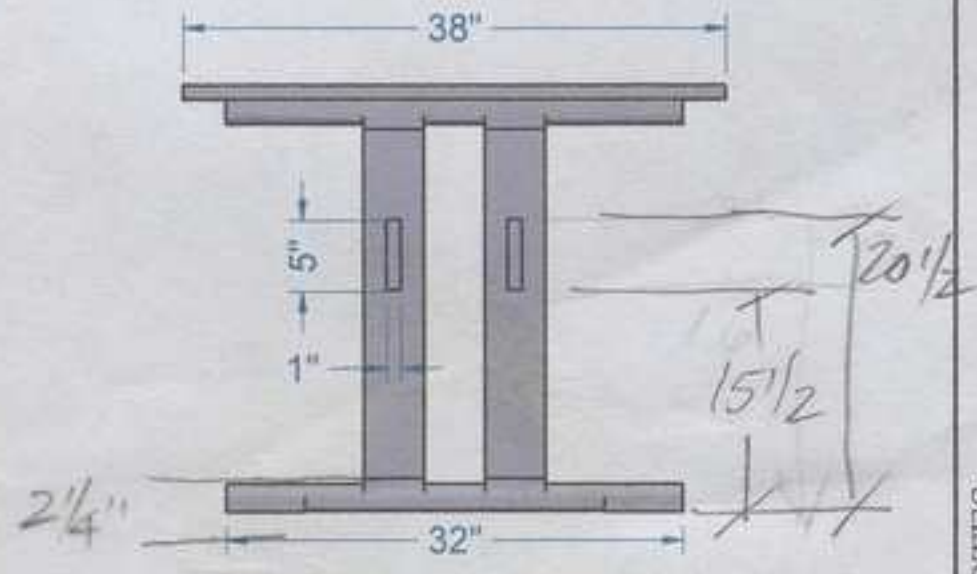
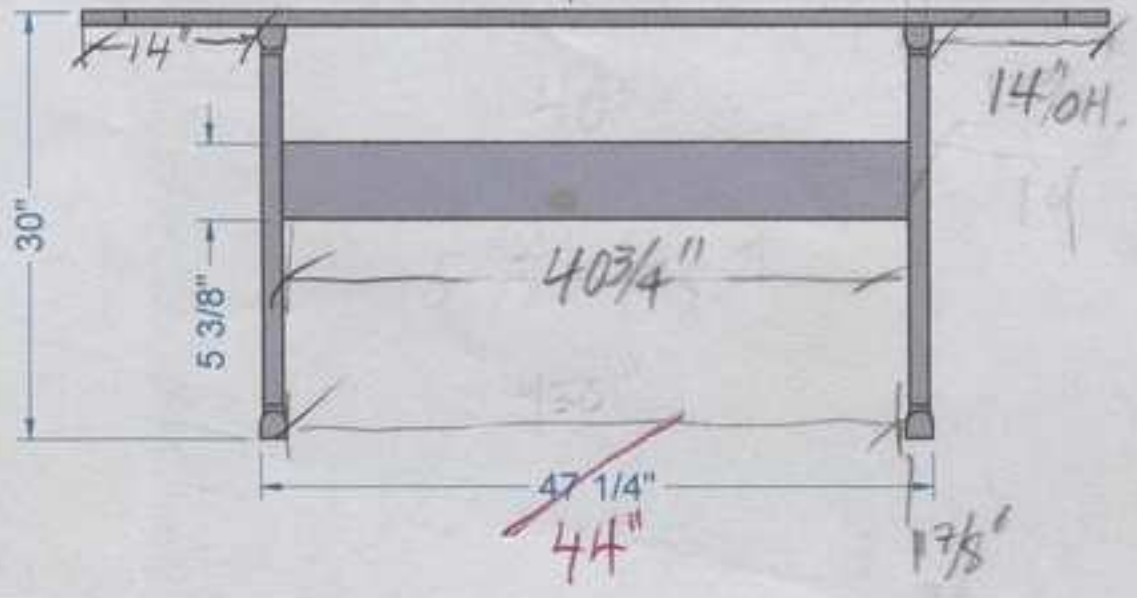
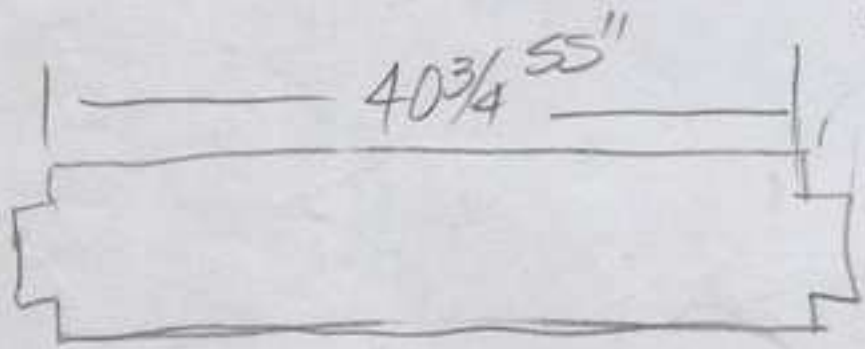


- 1) sand to 1/8"
- 2) up to 38"
- 3) ice 66?

NO BREAD BOARD  
 ENDS ON  
 PHOTOSHOOT  
 SAMPLE  
 1/9/2017

72  
 - 6  
 66" FIN + 1 68"  
 TRT-NEG 13 1/2 c 76" long  
 TRT-L 17 3/8  
 MERIDIAN 14"



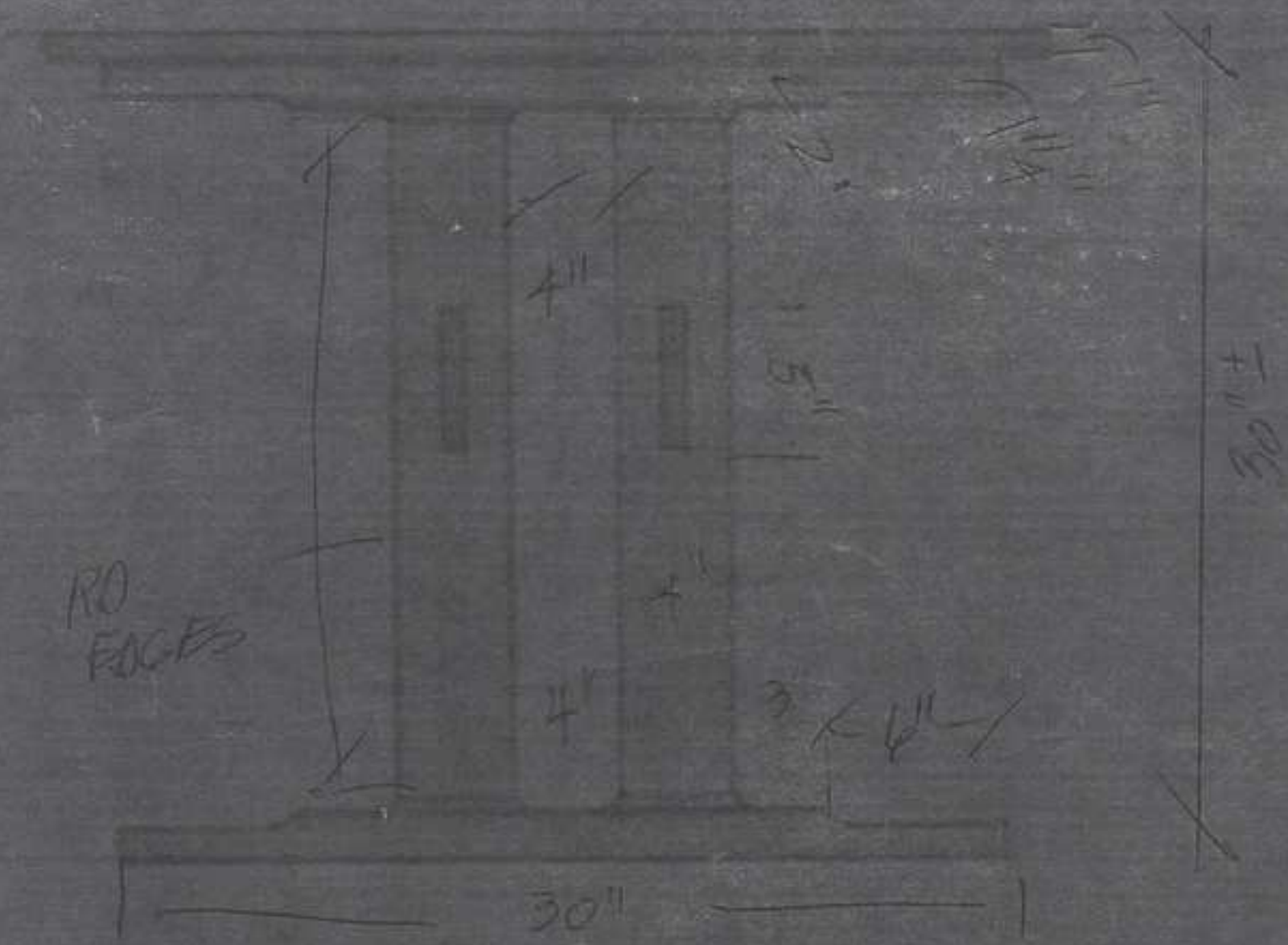
ITEM #	QTY:	REV.	QUOTE #:
<p>PROJECT:</p> <p>These measured shop drawings are proprietary documents of Thos. Moser Cabinetmakers, Inc. No use, disclosure or dissemination of these drawings may be made without our specific written authorization</p> <p>DATE: 12/19/2016</p> <p>DR. BY: Peter B      DWG. NO: Hancock Tai</p>			
<p>NOTES:</p> <p><b>THOS. MOSER</b>            CABINETMAKERS            72 WRIGHT'S LANDING            AUBURN, MAINE 04211            207. 784. 3332            FAX 207. 784. 6973</p>			





$1\frac{1}{2}$   $1\frac{5}{8}$

56" x 72" ±

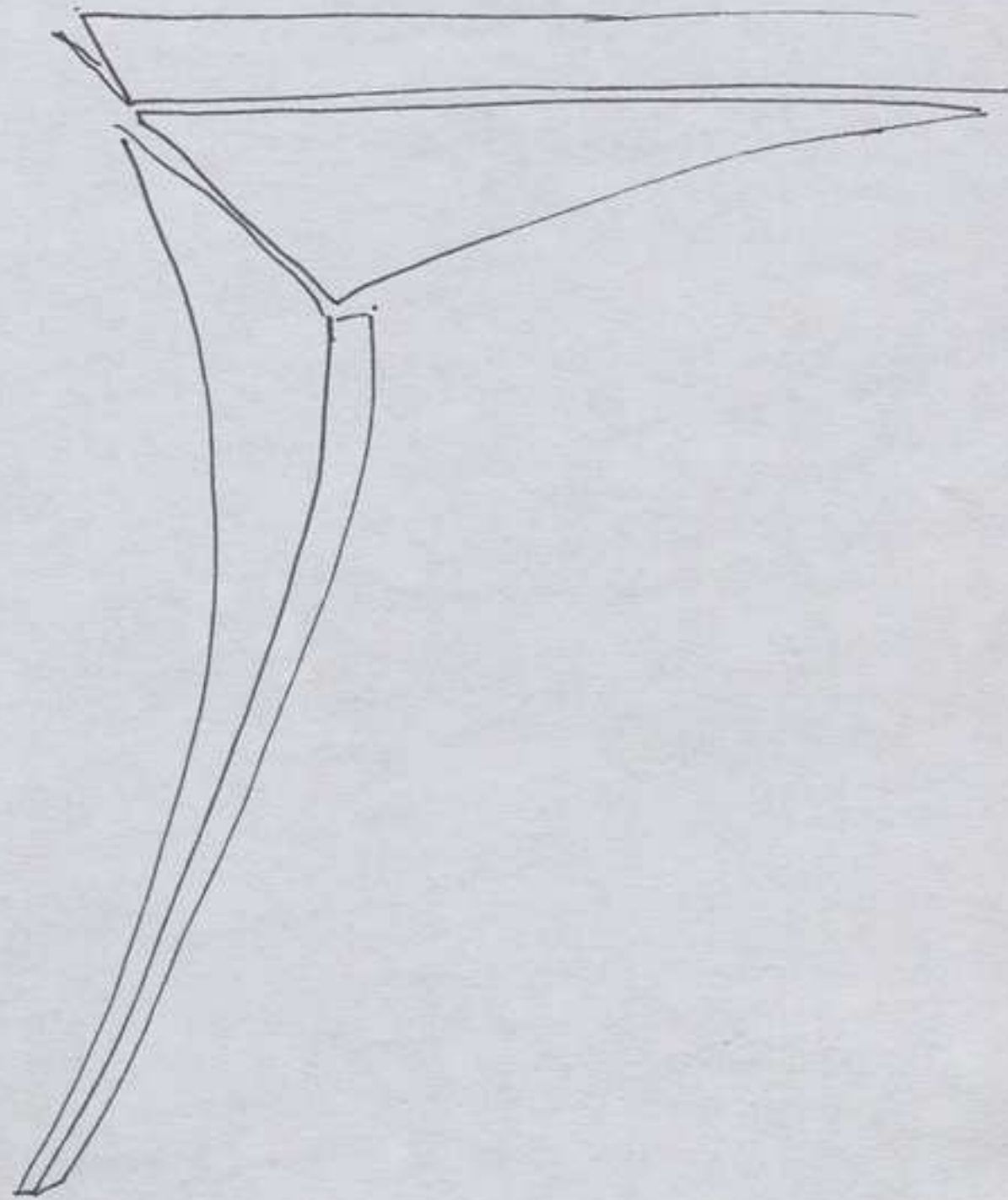
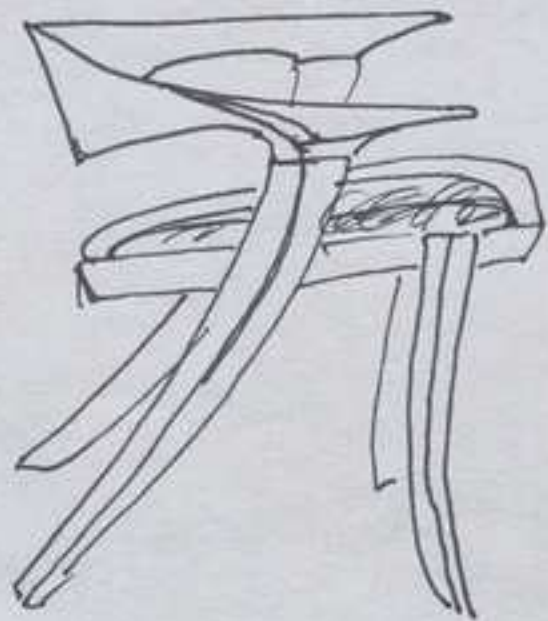
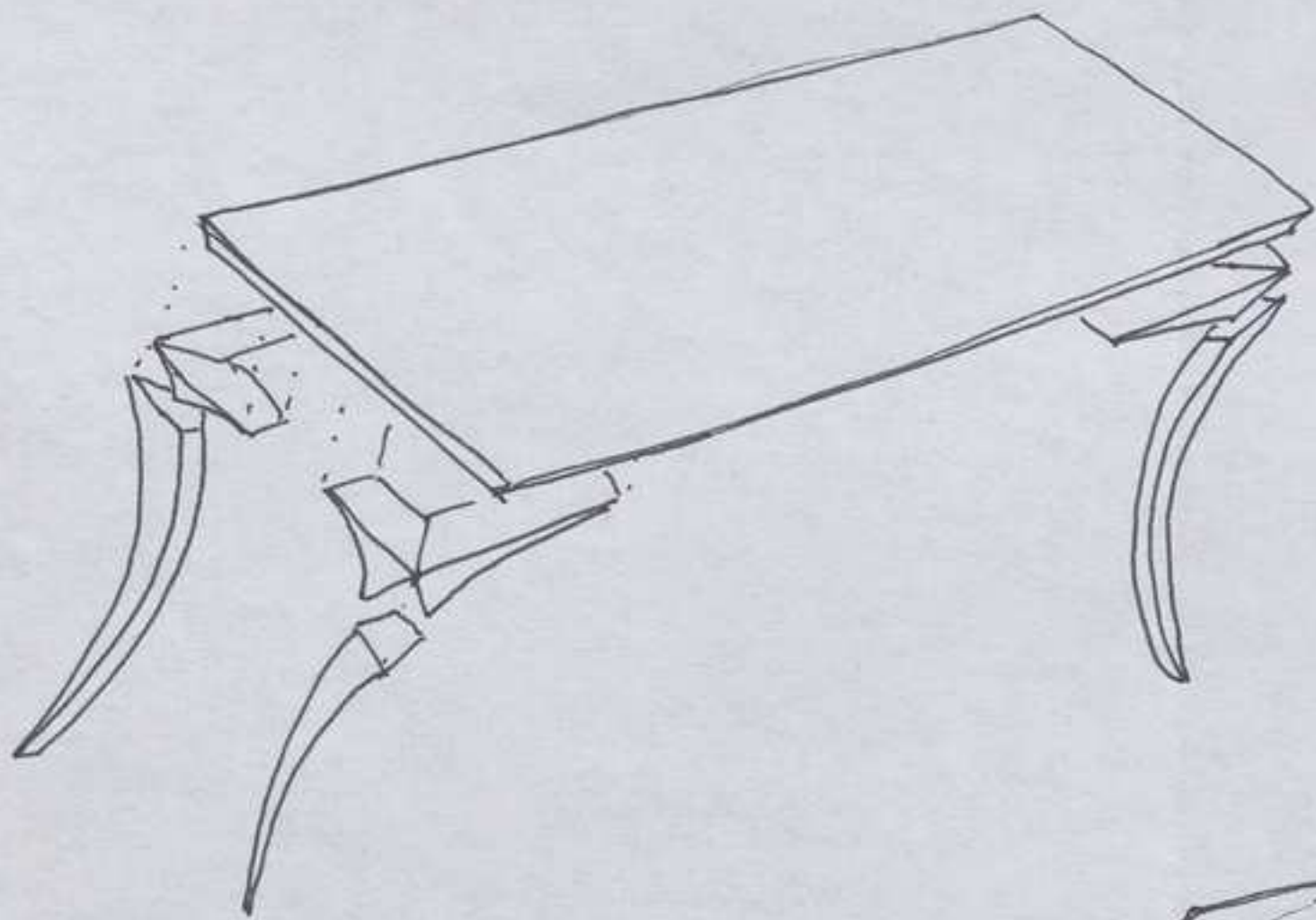


NO  
EDGES

$\pm 1/8$ " scale



ABACUS 32  
SAN.



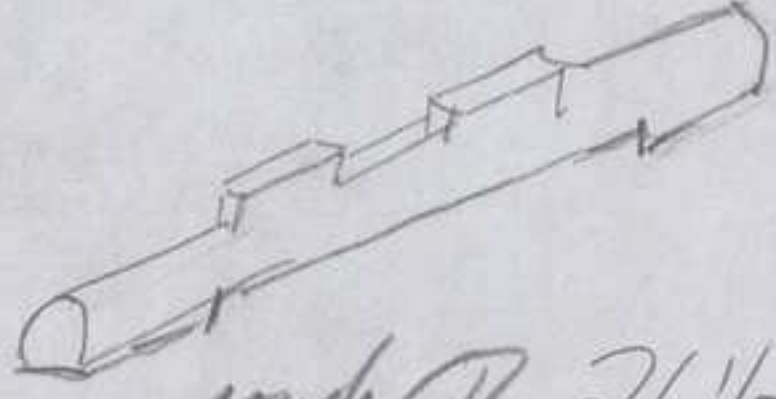


# HANCOCK TRESTLE TABLE

MATERIAL LIST

12/15/16

WHITE OAK :

- ✓ FOOT/RAILS 4e  $1\frac{7}{8} \times 2\frac{1}{4} \times 32$ "  rough CL  $26\frac{1}{2}$ "
- POSTS 4e  $1\frac{3}{8} \times 4\frac{1}{4} \times 26\frac{1}{4}$ " incl tenon  $24\frac{1}{2}$ SS
- RAILS 2e?  $1\frac{3}{8} \times 5\frac{3}{8} \times 48$ " + (4  $5\frac{1}{4}$ " FIN)
- TOP 1e  $1 \times 38 \times 72$ "

(BREAD BOARD ENDS) 2e  $1 \times 3 \times 38$ "  
wide



$1\frac{1}{4}$


$\frac{3}{4}$

$\frac{1}{4}$

CLC same length  $35\frac{1}{2}$ "

FOOTRAIL 1) BLANK  $1\frac{7}{8} \times 2\frac{1}{4} \times 36$ " R exact lengths

2) MORTISE FOR STILES (2)

3) rough on saw 

4) come on router table

5) notch w/ dado blade

6)